

Installation instructions Solid stair nosing closed staircase



Installation instruction for solid stair nosing for closed staircase

Please read these instructions carefully.

Basic requirements

The Bjelin Stair nosing is made of solid wood for closed staircases, and is specially designed for Woodura Planks 3.0 that are 11 mm thick (sizes XXL and XL). The stair nosing design requires that the front edge of the stair is straight and has an angle of 90 degrees.

Recommended tools

- Saw
- Pencil
- Folding ruler
- Set-square
- Adhesive appropriate for the surface and wood
- Wood glue, e.g. D3

Pre-installation

1. Begin by removing any trims etc. that could obstruct installation. The surface should be clean and free of dust and dirt.
2. Check the pictures closely to see how to install the stair nosing.

Installation of stair nosing

Install from the top step. Begin installation by measuring the depth and width of the step, and add the dimensions of the stair nosing. Ideally, use a stair tread gauge. Then saw the boards according to the notes measurements template.

- Test-install the flooring with the stair nosing on the step without glue.
- Apply wood glue to the stair nosing, and click the floor onto stair nosing.
- Use an adhesive that's appropriate to the surface.
- Also glue the front side of the step to strengthen the stair nosing, as pictured.
- Install the step.
- The top step is now complete. To complete installation, simply repeat steps 1–7 on each step.

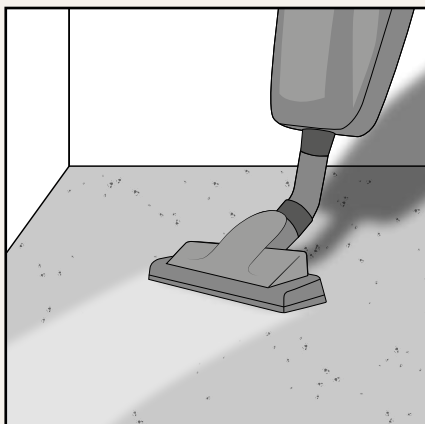
Tip!

Be sure to remove any excess wood glue immediately using a damp cloth.

Pre-installation

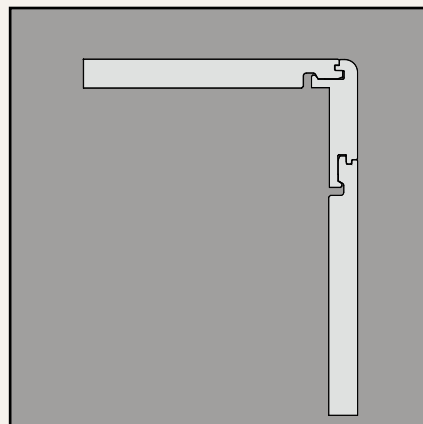
1

Begin by removing any trims etc. that could obstruct installation. The surface should be clean and free of dust and dirt.



2

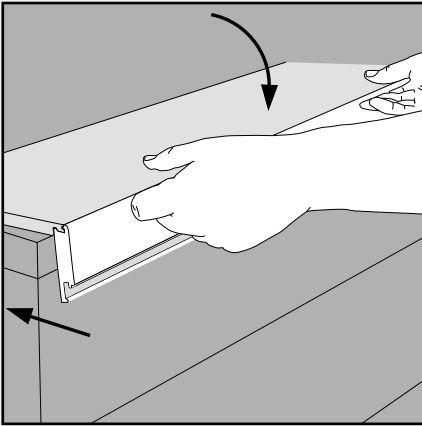
Check the pictures closely to see how to install the stairnose cover.



Installation of stair nosing (1/2)

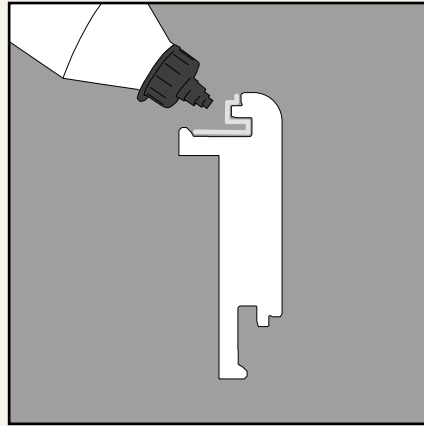
1

Test-install the flooring with the stair nosing on the step without glue.



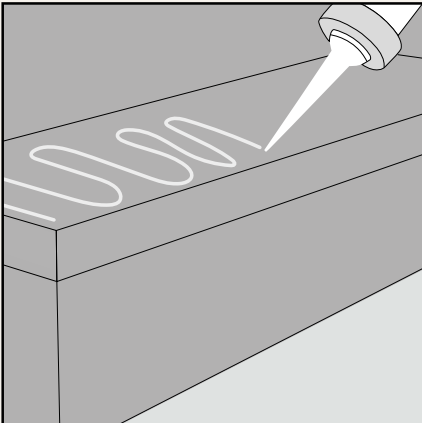
2

Apply wood glue to the stair nosing, and click the floor onto the stair nosing.



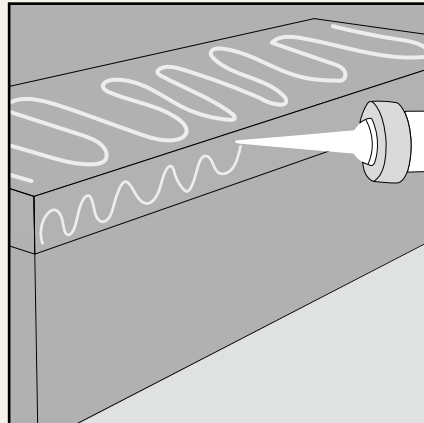
3

Use an adhesive that's appropriate to the surface and wood.



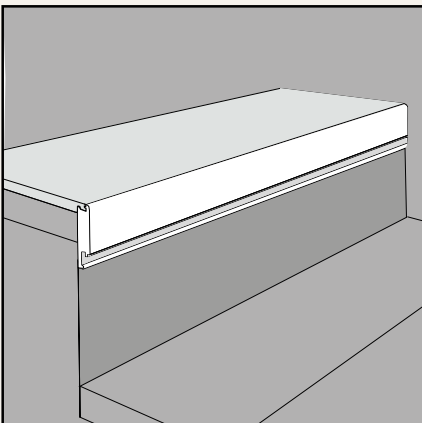
4

Also glue the front side of the step to strengthen the stair nosing cover, as pictured.



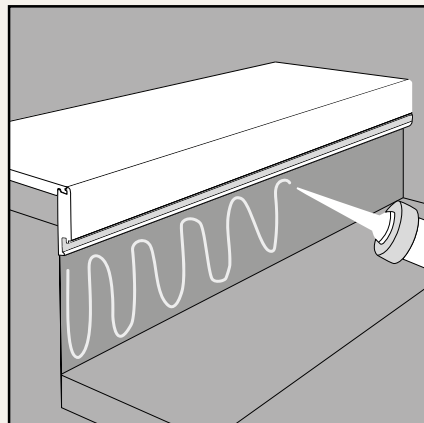
5

Install the board with the stair nosing.



6

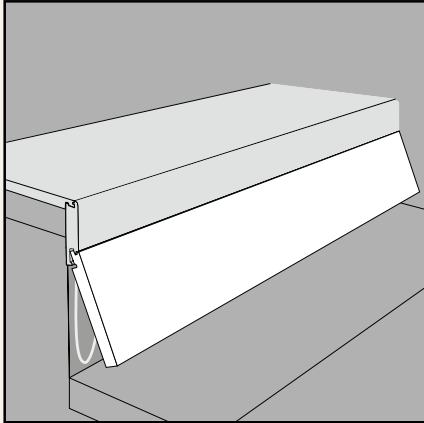
Apply adhesive to the riser.



Installation of stair nosing (2/2)

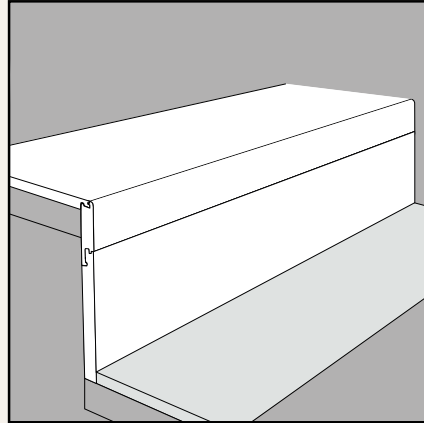
7

Align the tongue and groove and push the bottom board against the riser to ensure proper adhesion.



8

The first step is now done. Then repeat stages 1–7 for each subsequent step.



Share your stunning
new stairs with us!

@bjeliflooring



woodura™

BJELIN