

# Installation instruction Solid stair nosing open stair case



# Installation instructions for solid stair nosing for open staircase

Please read the installation instructions carefully.  
If you have any questions, contact your distributor or Bjelin.

## Prerequisites

Bjelin stair nosing is made of solid wood for an open staircase and is adapted for Bjelin's products in the Woodura Planks 3.0 range. The design of the stair nosing requires the front edge of the steps to be straight at a 90 degree angle.

## Recommended tools

- Saw
- Pencil
- Measuring tool
- Set square
- Adhesive adapted to the substrate and wood
- Wood glue, e.g. D3

## Preparing for installation

1. Start by removing mouldings and other obstacles during installation. The surface must be clean and free from dirt and dust.
2. Study the pictures carefully on how the stair step is to be installed.

## Installation of stair nosing

The installation starts from the top step of the stairs. Start the installation by measuring the depth and width of the step and add the measurements for the stair nosing. It's best to use a stair gauge. Then saw the boards according to the noted dimensions/template.

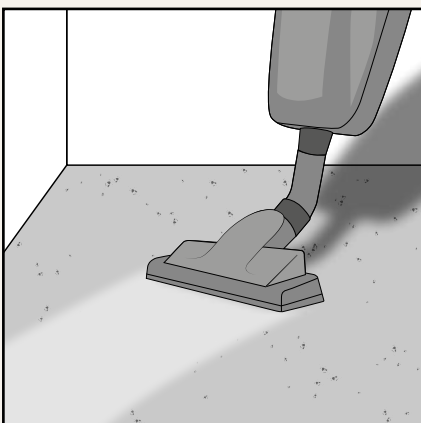
1. Pre-install the floor board with the stair nosing prior to gluing.
2. Apply wood glue to the stair nosing and glue the floor to the stair nosing.
3. Add a suitable adhesive for the substrate.
4. Spread glue on the front edge of the staircase to reinforce the stair nosing as shown.
5. Install the step.
6. The top step is now complete. Continue the installation by repeating steps 1-6 until the staircase is complete.

---

## Installation preparations

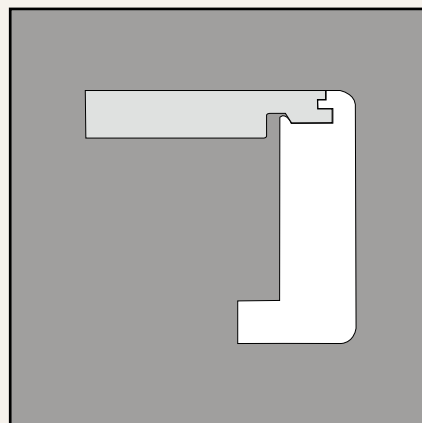
**1**

Start by removing mouldings and other obstacles during installation. The surface must be clean and free from dirt and dust.



**2**

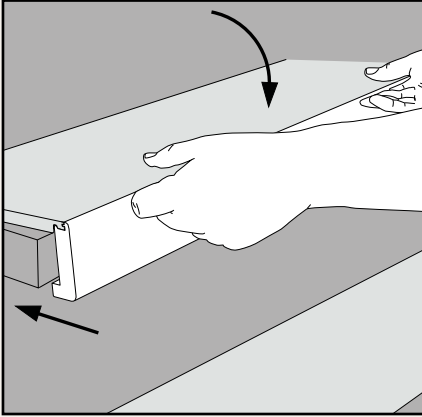
Carefully study the image to understand how the stair nosing should be installed.



## Installation of stair nosing

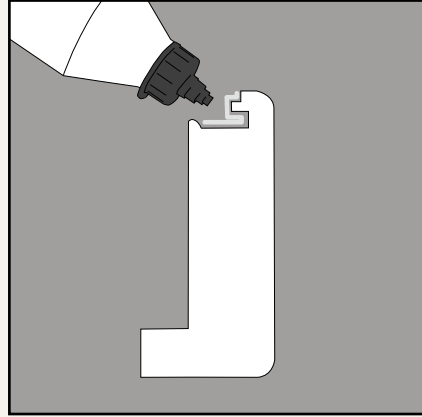
1

Pre-install the floor board with the stair nosing prior to gluing.



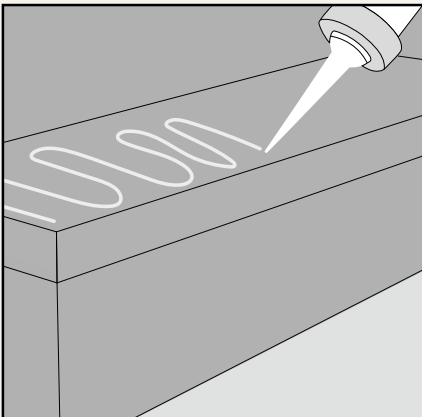
2

Apply wood glue to the stair nosing and glue the floor to the stair nosing.



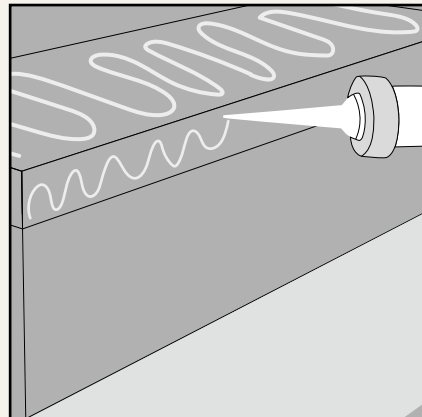
3

Apply a suitable adhesive for the substrate.



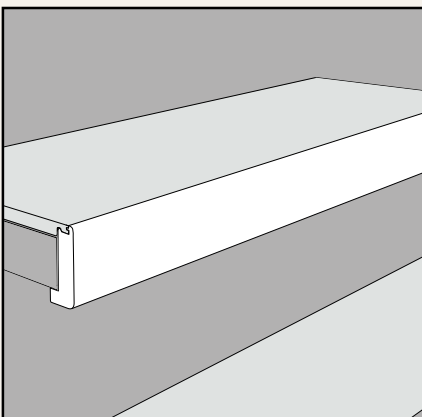
4

Apply glue to the front edge of the staircase to reinforce the stair nosing as shown.



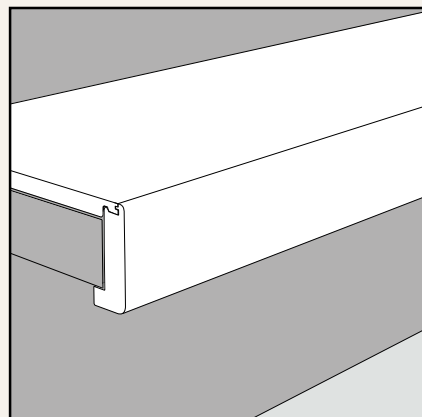
5

Install the step.



6

The top step is now complete. Continue the installation by repeating steps 1-6 until the staircase is complete.





Share your stunning  
new stairs with us!

@bjeliflooring



woodura™

**BJELIN**

5G Dry and Woodura are patented technologies invented by Välinge Innovation AB (<http://www.valinge.com/patents>).  
The 5G Dry and Woodura wordmark and logo are registered trademarks owned by Välinge Innovation AB and any use  
of such marks is under license.

[sales@bjelin.com](mailto:sales@bjelin.com)