

# Installation Instructions

## Gluing Down of

## Woodura Planks 3.0



woodura™

# Installation instructions for gluing down Woodura Planks 3.0 with a mechanical joint

Carefully read through all the instructions before installing the floor.

**Installing floors by gluing them down calls for extensive knowledge, both of the installation process and of the related conditions.**

**Consequently, we recommend using a professional.**

## Preparations

Store the boards in their protective packaging until they are used. The temperature in the room and boards must be at least 18°C/64°F. Spread the bundles out to ensure they acclimatise properly.

Take care to inspect each board before installation. If you are using a professional, make sure that they also read the installation instructions carefully before they begin. Bjelin bears no liability for obvious faults or defects that were visible before installation. When gluing onto a concrete subfloor, the surface must be firm enough to pass a scratch test without the concrete flaking off. This also applies to self-levelling compound. If any weak surface residue ('laitance') remains, it must be removed by milling or sanding.

The surface tensile strength of the concrete and floor levelling compound must be at least 1.5 MPa, in accordance with EN 17668. The amount of adhesive must be at least 1250 g/m<sup>2</sup>.

The boards can be glued onto surfaces such as concrete, levelling compound, floor particle board or plywood.

Before gluing down on a concrete subfloor, the moisture must be measured by a moisture inspector. The relative humidity (RH) must not exceed 85% for a water-cement ratio (w/c) of 0.4 and 0.6, and must adhere to indoor climate conditions as per EN 15026 (moderate moisture load), with indoor air RH not exceeding 60%. When measuring the moisture content (MC), it must not exceed 2.5 without underfloor heating and 1.8 with underfloor heating, according to DIN 18560. If the MC is higher than this, a moisture barrier must always be used. A moisture barrier is obligatory when installing over underfloor heating and on ground slabs.

Normal- and self-drying levelling compounds must be moisture tested and must not exceed 65% RH when the floor is installed with full surface bonding.

If there is a risk that RH will exceed 65%, a moisture barrier must be used on the levelling compound. Please note that if this is the case, the levelling compound manufacturer must approve the use of a moisture barrier on the screed. The floor should be fully bonded to the subfloor using an SMP-type

parquet flooring adhesive. We recommend Uzin MK 200 or MK 250, and Pallmann P5 or P6.

Open 2–3 boxes to check for any colour/design variations, and ideally mix boards from different packs. This will give you an idea of the variations before you start installing.

- The subfloor should be dry, flat, firm and clean.
- Hardened wood flooring can be glued over underfloor heating. The heating system should provide effective, well-distributed heat across the whole floor. The surface temperature of the floor must never exceed 27°C/80°F (also applies where there are radiator pipes, under rugs and so on). A moisture barrier must be used if gluing over underfloor heating.
- Measure the subfloor's evenness at 2 m and 0.25 m. If the difference is greater than ±3 mm at 2 m or ±1.2 mm at 0.25 m, the subfloor will first need levelling. Note that ±2 mm at 1 m is approved for installation.
- The room's relative air humidity (RH) must not exceed 60%. If the RH is below 30%, there is a higher risk of concavity and gaps between boards. In low RH, an air humidifier can be used to raise the humidity.
- Please note that damp proofing is mandatory on subfloors of newly cast concrete, lightweight concrete, concrete floor directly on the ground, crawl space foundations, on joists over hot or humid rooms (e.g. boiler room or laundry room) or underfloor heating systems. We recommend Uzin PE 414 Biturbo, Uzin PE 460 or Uzin Hydroblock System, or Pallmann P104 where a moisture barrier is required. Follow the manufacturer's instructions when using these products.
- The subfloor must be well cleaned. In most cases, this will mean vacuuming the subfloor.
- If there are nominal requirements for impact noise reduction, contact a sound expert.
- If the RH of the subfloor exceeds 85%, a moisture barrier must be applied. We recommend Uzin PE 414 Biturbo, Uzin PE 460 or Uzin Hydroblock System. Pallmann P104 can also be used. Follow the manufacturer's instructions when applying.
- The boards can be laid in whichever direction is most suitable. The floor moves with varying humidity and should therefore usually have a minimum expansion gap of 5 mm against fixed objects for ease of installation. Rooms up to 25 m wide and 25 m long can be laid as one continuous surface. If the floor is larger, you shall divide it.

## Installation

First work out how many boards you need for the width of your room. If the last row of boards ends up less than 40mm wide, the first row should also be sawn so that the first and last rows are the same width. This will ensure a sleeker-looking installation. It's easiest to start along the long wall with the most doors. If there are doors on the short side, start the row there. The boards can be laid from left or right, and also reverse-installed. If reverse-installing, cut off the locking strip to create a traditional tongue and groove.

Once 2 rows of boards have been laid, it's a good idea to let the glue dry to make the rest of the job easier.

Cover the gap between the wall and flooring with skirting board or trim. Flooring trims or transition reducers are used to join wood floors and other flooring materials.

If you come across a damaged board, put it aside. It may be left over or can be used when finishing.

Of course, you can also exchange it where you bought it. The installer is responsible for ensuring that boards with visible defects are not installed.

**Tip:** *If you are doing a renovation or new build, install the walling panels slightly higher up. That way the floor can move beneath them and you'll avoid having to use thick skirting boards. See image B.*

---

## Floor cover

The basic rule is that the wooden floor should be laid last in a construction project in order to avoid damage. If further work is to be done in the room where the floor has been laid, the floor must be protected with a material that allows moisture to pass through (e.g. builder's paper/rag paper). Also check that the cover does not discolour the floor or leave residues such as wax.

Do not tape against the wood floor but only against each sheet of protective covering. Many tapes adhere so strongly to the floor surface that the coating comes off when the tape is removed. The longer the tape is left in place, the higher the risk that it will stick more strongly to the finish.

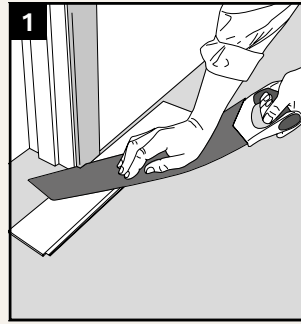
**Immediately wipe off any adhesive on top of the board.**



## Instructions

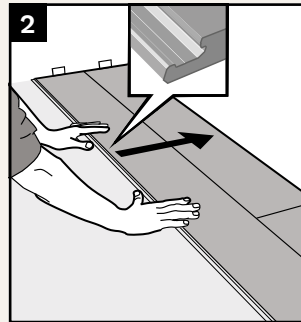
**1**

Start by removing/trimming door frames/architraves so that the floor can be pushed underneath, which gives a neat and professional result. The easiest way is to use a multi-tool or a hand saw. Use a board turned upside down with underlay as a template to get the right height.



**2**

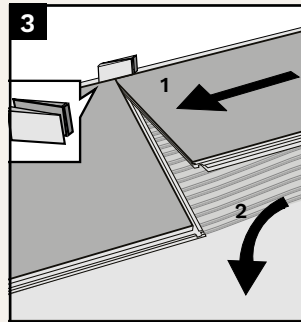
Cut boards ready for 2 rows. If the first board needs to be sawn to fit an uneven wall, do this now. Separate the boards if you have dry-laid them without glue. Take care when separating the boards so as not to damage the joints.



**3**

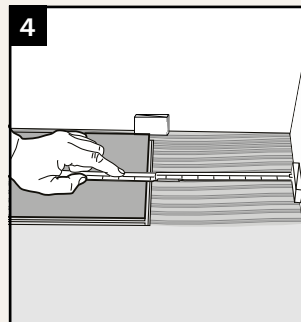
Begin in a left-hand corner, and lay the first board with the tongue facing out into the room on both the long and short sides. Place the next board with the short end against the short end of the first board.

Press the short end down so it clicks into place. Continue in the same way along the whole first row.



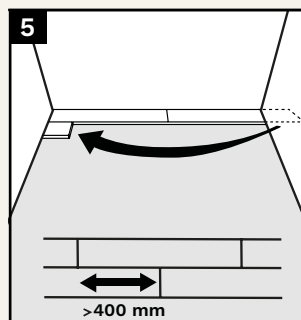
**4**

Cut the last board of the first row to the right length. Don't forget to leave an expansion gap around the entire edge of the floor.



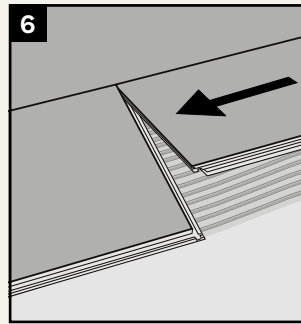
**5**

Start the next row with the offcut from the previous one. For an attractive installation, the boards' end joints should be staggered by at least 400 mm if the boards are longer than 1500 mm. If they are shorter than 1500 mm, the stagger length should be at least 300 mm. Staggering improves the look of the floor, but is not necessary if gluing down.



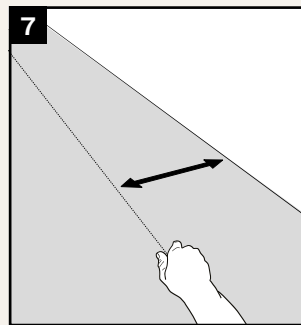
**6**

Push the new board's long side into the previously installed board to form a tight seal. Then press the board down lightly while tapping it with your hand, and the board will fit easily into place. Take care when tapping so as not to damage anything. Make sure there is no debris in the joint, such as sawdust, as this can obstruct or damage the board when it's being pushed into place.



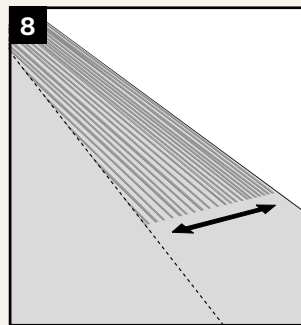
**7**

Use a string line to indicate 2 rows of boards from the wall. This will serve as your guide line when applying the adhesive.



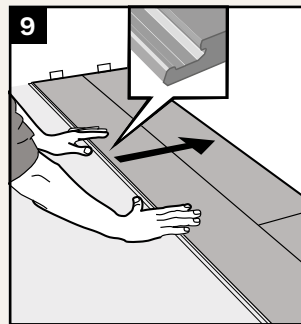
**8**

Apply at least 1250g per m<sup>2</sup> using a coarse-tooth trowel. Take care to hold the trowel at the right angle to ensure the right amount. Do not go outside your guide line. Spread the adhesive amount based on how many boards you can lay within 10–15 minutes. Make sure you lay the boards onto wet glue, before a film starts forming.



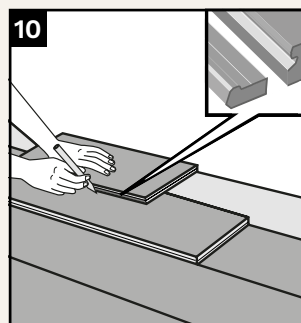
**9**

Lay the first two rows of boards. Take care to ensure that the rows are the right distance from the walls before the glue dries. Ideally, wait a few hours for the boards to settle into the glue before continuing.



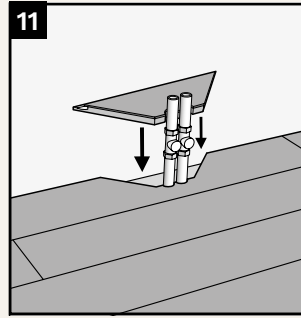
**10**

The last row: Measure the exact width of the last row. What to do: Place the final board on top of the penultimate row of boards with 7 mm of clearance from the wall. Use a piece of board with no tongue to mark your saw-line. Install the sawn board. You may need a pull bar or crowbar to fit the final row of boards, but remember to be careful.



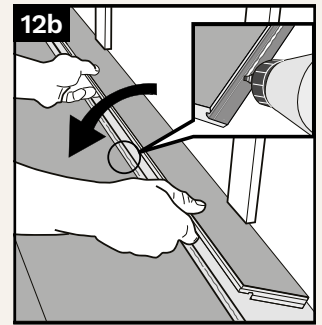
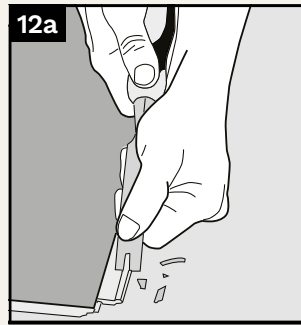
**11**

Around pipes, drill holes at least 10 mm larger than the pipe diameter. Saw as pictured and glue the loose piece into place. Cover the holes with pipe collars.



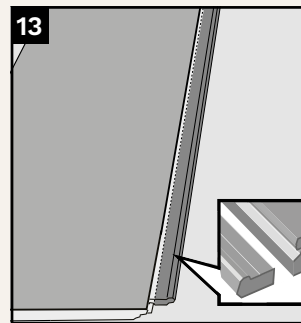
**12**

If you're unable to click in a board under a door frame or architrave: Saw or shave off the lock using a chisel or plane. You can then push the board into the joint. Use wedges to press the board firmly in place while the glue is drying.



**13**

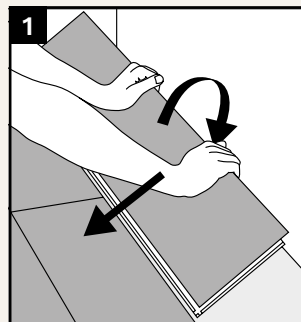
If you have to reverse-install the board, saw off as much of the tongue as necessary so that it becomes a groove.



## Reverse installation

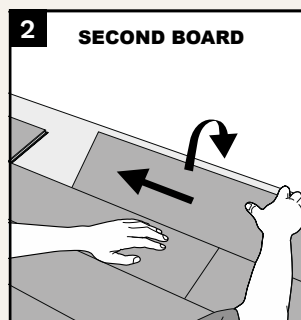
**1**

When reverse-installing, lay the floor from left to right. Saw off as much of the locking element as necessary so that it becomes a groove.



**2**

Fit the next board under the installed row, push them against the short end of the adjacent board, and lay it down. Carefully press down the board's short end until you hear a click, which means it's now locked in place.



### Care and maintenance of our floors

Bjelin wood floors are easy to maintain. Daily maintenance is most easily done by vacuuming, and occasional cleaning with a well wrung-out cloth. Take care not to damp-mop too often as wood is sensitive to water. When you do damp-mop the floor, it should be dry within 2–3 minutes, that way you'll know you have used the correct amount of water.

If you use too much water, the floor may be damaged.

If you accidentally spill, it won't leave a mark on your floor as long as you wipe it up immediately.

Use a door mat outside and inside the front door to avoid

bringing in dirt and grit, which can put a lot of wear on your floors. Minimising dirt and grit will ensure your Bjelin floor lasts for many years.

We recommend using felt pads under furniture to avoid unnecessary marks and scratches.

**If you get a stain on the floor, see the table below.**

Take care with strong stain removers. If you use too much or rub too hard, it can affect the lacquer or oil on your floor.

**For more detailed maintenance instructions, go to [bjelin.com](http://bjelin.com).**

### Factory-lacquered surfaces

STAIN	REMOVAL
Asphalt, rubber, oil, shoe polish, soot, dried-in chocolate or grease residues	Bjelin Magic Cleaner, Bona Kemi Deep Cleaner diluted with water, alcohol cleaner, benzine or similar
Crayon, lipstick, felt tip/marker	Alcohol cleaner diluted with equal parts water
Candle wax, chewing gum	Cold spray or apply a bag of ice cubes, then gently scrape off
Blood	Bjelin Wash Care or a neutral detergent diluted with water

### Factory-oiled surfaces

STAIN	REMOVAL
Asphalt, rubber, oil, shoe polish, soot, dried-in chocolate or grease residues	Bjelin Magic Cleaner, Bona Kemi Deep Cleaner diluted with water, alcohol cleaner, benzine or similar
Crayon, lipstick, felt tip/marker	Alcohol cleaner diluted with equal parts water
Candle wax, chewing gum	Cold spray or apply a bag of ice cubes, then gently scrape off
Blood	Cold water

*Oiled surfaces are sensitive to strong detergents and heavy cleaning. After spot cleaning, some touch-up with oil may be needed on the oiled surface.*

**For more information on maintenance, care and repair, go to our website [www.bjelin.se](http://www.bjelin.se)**



### Checklist:

- ✓ Remove all skirting boards
- ✓ Remove or trim door frames and architraves
- ✓ Leave a decent expansion gap between the floor and all fixed objects such as walls, thresholds, columns and pipes
- ✓ The floor should always be laid lengthwise along the room. If the room is roughly square, you are of course free to choose the direction of the floor.
- ✓ **Tip:** Test-lay the first two rows without glue, to familiarise yourself with the installation procedure.



### Tools and equipment:

- ✓ String line
- ✓ Set-square
- ✓ Protective goggles and approved dust mask
- ✓ A suitable adhesive spreader
- ✓ Floor adhesive
- ✓ Wedges
- ✓ Saw
- ✓ Metal or diamond saw blade
- ✓ Pencil
- ✓ Folding rule
- ✓ Adjustable set square



### Wood dust

Sawing and sanding wood produce wood dust.

#### Preventive measures:

- Equipment should be equipped with a dust collector to reduce airborne dust.
- Use an appropriately designed protective mask to reduce exposure to airborne wood dust.
- Avoid contact with the eyes and skin.
- In case of irritation, rinse eyes and skin with water for at least 15 minutes.
- In case of severe discomfort, seek medical attention immediately.



Share your stunning  
new build with us!

*@bjelinflooring*



woodura™

# BJELIN