

Installation instructions Parquet Herringbone

Floating installation of Parquet Herringbone with mechanical joint

Carefully read through all the instructions before installing the floor.

Pre-installation

The room and the boards must have a temperature of at least 18° C (64° F). Ensure that you evenly distribute the packs so that they can acclimatise to the room temperature.

Take care to inspect each strip before installation. If you are using a professional, make sure that they also read the installation instructions carefully before they begin. Bjelin bears no liability for obvious faults or defects that were visible before installation. Bjelin floors are normally laid as a floating installation but can also be glued down (see separate instructions). If using glue down, we recommend using a professional.

Open 2–3 boxes to check for any colour/design variations, and ideally mix boards from different packs. This will give you an idea of the variations before you start installing.

Parquet is laid floating, i.e. joined together without being attached to the subfloor.

- The subfloor should be dry, flat, firm and clean.
- Remove all carpets.
- If installing on cellular plastic (EPS), first lay a load-distributing tongue/groove board of at least 6 mm thickness.
- Our flooring can be laid on underfloor heating and the heating system must provide an efficient and even heat distribution over the entire floor. Surface temperature of the floor must never exceed 27° C (80° F) (also applies where there are radiator pipes, under rugs and so on).
- Measure the subfloor's evenness at 2 m and 0.25 m. If the difference is greater than ± 3 mm at 2 m or ± 1.2 mm at 0.25 m, the subfloor will first need levelling. Note that ± 2 mm at 1 m is approved for installation.
- The room's relative air humidity (RH) must not exceed 60%. If the RH is below 30%, there is a higher risk of concavity and gaps between boards. In low RH, an air humidifier can be used to raise the humidity.
- Wood floors should in most cases be protected against moisture from the subfloor. For best results, we recommend Bjelin's floor underlay Kombi, which is a combined vapour barrier and foam. You can also use a 0.2 mm age-resistant polyethylene film, applied with a 200 mm overlap in combination with foam or builder's paper/rag paper. In markets where these products are not available, please contact your local Bjelin representative for approved products. Please note that damp proofing is mandatory on subfloors of newly cast

concrete, lightweight concrete, concrete floor directly on the ground, crawl space foundations, on joists over hot or humid rooms (e.g. boiler room or laundry room) or underfloor heating systems.

- The subfloor must be well cleaned and dry to avoid mould. In most cases, this will mean vacuuming the subfloor.
- When using a separate vapour barrier, use an interlayer on top to reduce impact noise. Use e.g. a 2–3 mm polyethylene foam of approved quality (compressive strength of at least 20 kPa) or builder's paper/rag paper. The interlayer is laid edge to edge. If there are nominal requirements for impact noise reduction, contact a sound expert.
- If the RH in the subfloor is 90–98%, an air gap forming moisture barrier, such as Platon or Matakki, must be used. Note that at least a 6 mm thick tongue and grooved load-distributing sheet, such as a wood fibre or chipboard, should be placed on top of the moisture barrier.
- The floor moves with varying humidity and should therefore usually have a minimum expansion gap of 10 mm (applies to rooms up to 6 metres wide) against walls and fixed objects (stairs, columns, door frames etc.) for ease of installation. It is also possible to calculate the size you need: include a 1.5 mm expansion gap per metre of floor width. This expansion gap must be around the entire floor against the wall and other solid objects. Bear in mind that if just 10 mm of your newly laid floor is touching another surface, such as a wall, it will no longer be able to expand. Rooms up to 25 m wide and 25 m long can be laid as one continuous surface. If the floor is larger, you should divide it. Floors should be divided in doorways with an expansion gap. Cover the expansion gap with moulding trim. When installing in L-, T- or U-shaped rooms and at transitions to corridors, an expansion gap must be left.
- A skirting board or T-moulding needs to be 50% thicker than the width of the expansion gap. Example: If you have worked out that you need an 8 mm expansion gap between the floor and the wall, the skirting should be at least 12 mm thick.

Installation

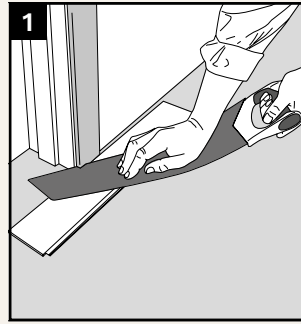
The product comes in two types: A and B, as marked on the back of each strip. A and B strips are used to create the herringbone pattern in these installation instructions.

When buying your flooring, we recommend always adding 10–15% for processing and material adjustment. Bjelin's herringbone parquet flooring is suitable for installation with a moulding strip or border.

Instructions

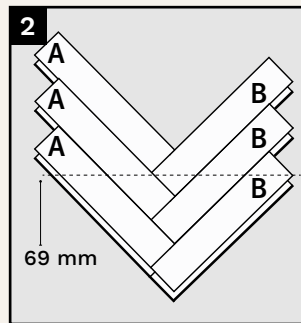
1

Start by removing/trimming door frames/architraves so that the floor can be pushed underneath, which gives a neat and professional result. The easiest way is to use a multi-tool or a hand saw. Use a board turned upside down with underlay as a template to get the right height. Remember not to lock the floor against or under the door frame



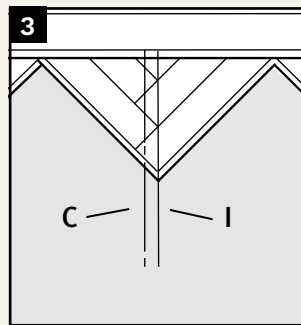
2

To make installation easier, begin by making starter triangles. First figure out how many triangles you need, and make them from 3 x A strips and 3 x B strips. Measure 69 mm from the corner of the A strip and draw a straight line to the corner of the B strip as pictured. Cut along the line to ensure the right angle. You need about 2.05 triangles per metre, as they are 488 mm after cutting.



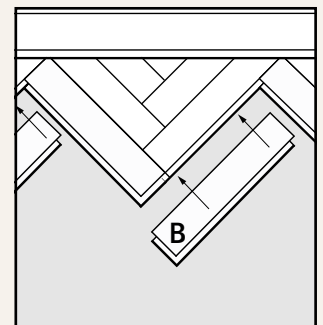
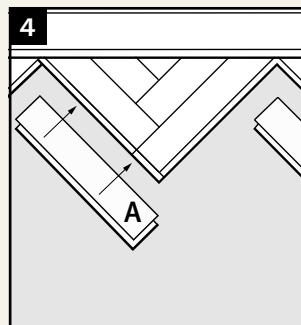
3

Measure the room width and mark out the room's centre line (C) on the underlay. Then draw an installation line (I) on the underlay 24 mm to the right of the centre line. This will centre the herringbone pattern in the room.



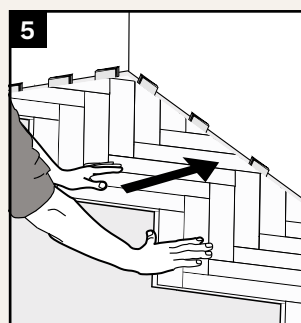
4

Once the lines are marked, you can start putting the starter triangles in place. Begin by placing a starter triangle with the point towards the installation line. Install the flooring by placing the strips long side to long side at an angle, and clicking together the short side, A strip and B strip in turn. First install a row of A strips from left to right, then a new row of B strips from left to right, and so on.



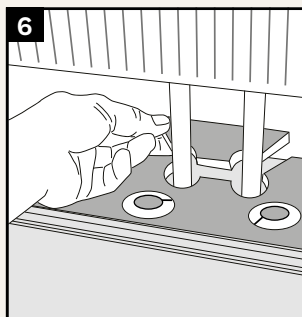
5

Install 3 rows and make sure you have the correct distance from the wall. Ideally, use spacers for this. If the floor needs to be adjusted to an uneven wall, do this first before making your final adjustments with wedges.



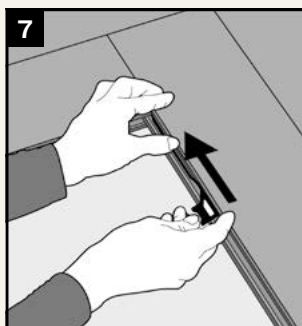
6

Around pipes, drill holes at least 20 mm larger than the pipe diameter. Saw as shown, and glue the loose piece back in place after laying the floor. Remove any excess glue immediately. Cover the holes with pipe collars



7

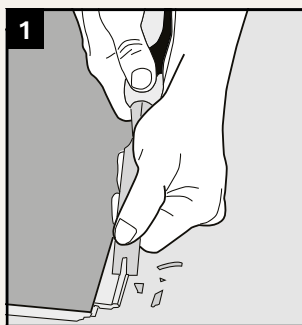
If you need to remove an installed strip, the easiest way is to use Bjelin's dismantling tool. This pushes into the short-side joint to release the locking mechanism.



Reverse installation

1

For reverse installation or when installing under a door frame, for example, you will need to remove the locking strip and glue the joint instead using PVAC/wood glue. Use a D3 adhesive.



!

Finally, remove the wedges, and cover the gap between the wall and flooring with skirting board or trim. Flooring trims or transition reducers are used to join wood floors and other flooring materials. Install trims so that the floor can move with seasonal variations.

Floor cover

The basic rule is that the wood floor should be laid last in a construction project in order to avoid damage. If further work is to be done in the room where the floor has been laid, the floor must be protected with a material that allows moisture to pass through (e.g. builder's paper/rag paper). Also check that the cover does not discolour the floor or leave residues such as wax. Do not tape against the wood floor but only against each sheet of protective covering. Many tapes

stick so strongly to the floor surface that the coating comes off when the tape is removed. The longer the tape is left in place, the higher the risk that it will stick more strongly to the finish.

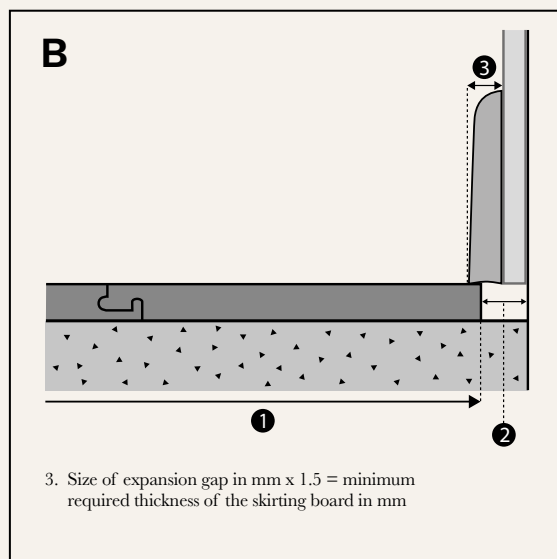
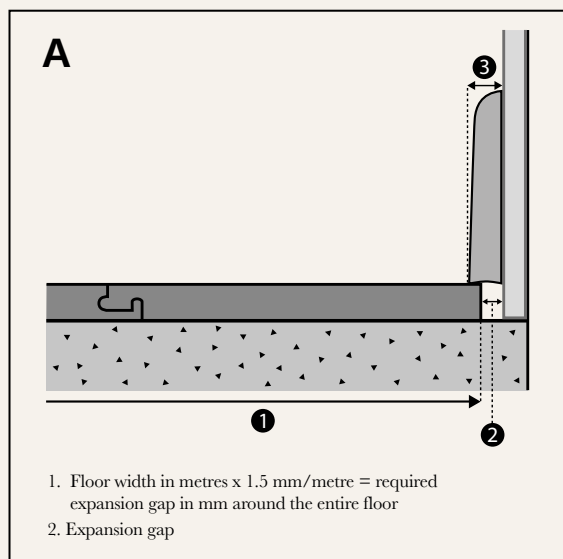
If you come across a damaged board, put it aside. It may be left over or can be used when finishing. Of course, you can also exchange it where you bought it. The installer is responsible for ensuring that boards with obvious defects are not installed.

Skirting board thickness

- Remember that it's the size of the expansion gap that decides the thickness of the skirting board – not the other way around.
- Larger floor areas will require wider expansion gaps and therefore thicker skirting.

Tip: If you are doing a renovation or new build, install the walling panels slightly higher up. That way the floor can move beneath them and you'll avoid having to use thick skirting boards. See image B.

How to calculate the thickness of the skirting board



Make sure the floor can move freely under the walling panels.

Minimum width of the expansion gap and skirting board for different floor widths

FLOOR WIDTH 1	EXPANSION GAP 2	SKIRTING BOARD WIDTH 3
4 m	6 mm*	10 mm
6 m	9 mm*	15 mm
8 m	12 mm	18 mm
10 m	15 mm	22 mm
12 m	18 mm	27 mm
15 m	22 mm	33 mm
18 m	27 mm	40 mm

**For easy installation, the minimum recommended expansion gap is 8–10 mm*

Care and maintenance of our floors

Bjelin wood floors are easy to maintain. Daily maintenance is most easily done by vacuuming, and occasional cleaning with a well wrung-out cloth. Take care not to damp-mop too often as wood is sensitive to water. When you do damp-mop the floor, it should be dry within 2–3 minutes, that way you'll know you have used the correct amount of water.

If you use too much water, the floor may be damaged.

If you accidentally spill, it won't leave a mark on your floor as long as you wipe it up immediately.

Use a door mat outside and inside the front door to avoid bringing in dirt and grit, which can put a lot of wear on your

floors. Minimising dirt and grit will ensure your Bjelin floor lasts for many years.

We recommend using felt pads under furniture to avoid unnecessary marks and scratches.

If you get a stain on the floor, see the table below.

Take care with strong stain removers. If you use too much or rub too hard, it can affect the lacquer or oil on your floor.

For more detailed maintenance instructions, go to bjelin.com.

Factory-lacquered surfaces

STAIN	REMOVAL
Asphalt, rubber, oil, shoe polish, soot, dried-in chocolate or grease residues	Bjelin Ecoline Magic Cleaner, Bona Kemi Deep Cleaner diluted with water, alcohol cleaner, benzine or similar
Crayon, lipstick, felt tip/marker	Alcohol cleaner diluted with equal parts water
Candle wax, chewing gum	Cold spray or apply a bag of ice cubes, then gently scrape off
Blood	Cold water

Factory-oiled surfaces

STAIN	REMOVAL
Asphalt, rubber, oil, shoe polish, soot, dried-in chocolate or grease residues	Bjelin Ecoline Magic Cleaner, Bona Kemi Deep Cleaner diluted with water, alcohol cleaner, benzine or similar
Crayon, lipstick, felt tip/marker	Alcohol cleaner diluted with equal parts water
Candle wax, chewing gum	Cold spray or apply a bag of ice cubes, then gently scrape off
Blood	Cold water

Oiled surfaces are sensitive to strong detergents and heavy cleaning. After spot cleaning, some touch-up with oil may be needed on the oiled surface.

For more information on maintenance, care and repair, go to our website: uk.bjelin.com



Checklist:

- ✓ Remove all skirting boards
- ✓ Remove or trim door frames and architraves
- ✓ Leave a decent expansion gap between the floor and all fixed objects such as walls, thresholds, columns and pipes
- ✓ The floor should always be laid lengthwise along the room. If the room is roughly square, you are of course free to choose the direction of the floor.



Tools and equipment:

- ✓ Safety glasses
- ✓ Approved dust mask
- ✓ Vacuum cleaner
- ✓ Installation wedges
- ✓ Saw
- ✓ Pencil
- ✓ Measuring tool
- ✓ Set-square
- ✓ Vapour barrier



Wood dust

Sawing and sanding wood produce wood dust.

Preventive measures:

- Equipment should be equipped with a dust collector to reduce airborne dust.
- Use an appropriately designed protective mask to reduce exposure to airborne wood dust.
- Avoid contact with the eyes and skin.
- In case of irritation, rinse eyes and skin with water for at least 15 minutes.
- In case of severe discomfort, seek medical attention immediately.



Share your stunning
new build with us!

@bjelinflooring

