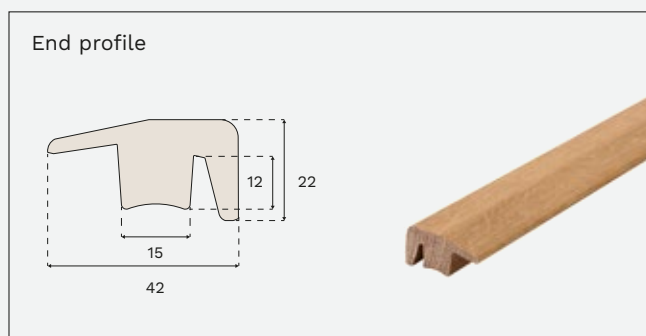
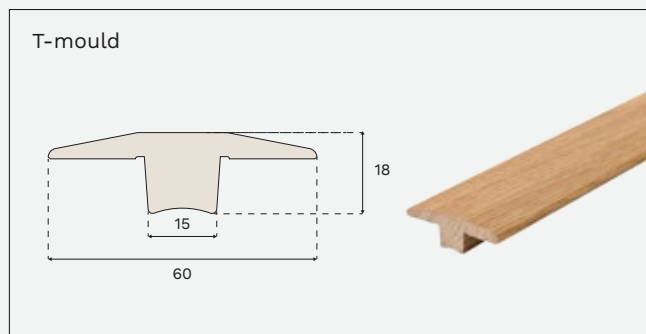
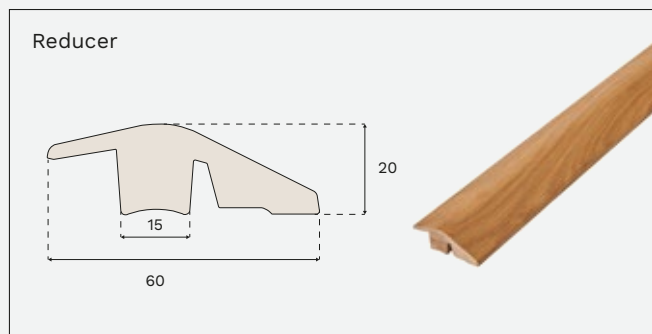


## Bjelin Moulding Solid oak

This lacquered Reducer, T-mould and End profile is crafted from oak, featuring FCS certification that ensures responsible forestry. Use the profile to transition between areas with varying room or floor levels and gaps.



General properties	
Surface finish	Lacquered
Name	Reducer   T-mould   End profile
Wood type	Solid oak
Height (mm)	18-22
Length (mm)	2200
Width (mm)	42-60

### INSTALLATION

- Choose your preferred installation method based on the floor or wall features.
- Install the fixing rail if included.
- Place the floor profile into the base rail and press it firmly into place.